



# ▼ POREX® Plastic Filter Housing



- Ultra-Pure Photochemical Filtration
- Pneumatic Control Protection
- Preliminary Filter in Front of Pumps and Motors
- Rinsing Water Filters in Drink Automats
- Reverse Osmosis System Preliminary Filters
- Filters for Use in Medicine and Dentistry
- Laboratory and Analysis

POREX Plastic Filter Housings are a self-contained, economical alternative for filtering applications used in the chemical, pneumatic, pharmaceutical and medical industries. Available in different porosities, POREX Plastic Filter Housings are designed to clean both gases and fluids and provide high corrosion and chemical resistance\* to meet the most challenging filtering problems. POREX Plastic Filter Housings exemplify the critical design standards and precision molding required for today's technological products.

\* Chemical compatibility data available on request.

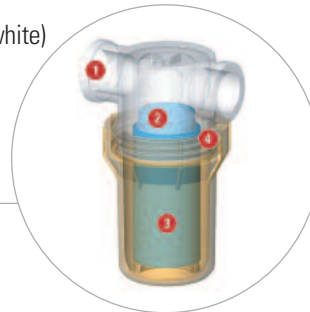


## Models and Accessories

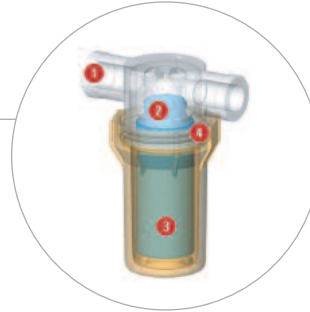
POREX Plastic Filter Housings offer three different seal ring materials and are available in two design casings – a small filter head with short or long cup or a large filter head with beaker (dimensions shown below). Filter housings come standard in white; however, other color options are available based on quantity requirements. Each standard polyethylene filter element is available in three different filtration meshes†. Special filter head models with dummy plugs provide the option to mount a pressure or vacuum manometer and include fastening angles and screws for the respective casings.

1. Filter Head Connection (Filter Head Material: 20% GFR Polypropylene)
2. Filter Unit Porosity: 5µm, 35µm, 80µm (Material: Polyethylene)
3. Filter Beaker Material: Grilamid TR55 (transparent); 20% TR Polypropylene (white)
4. Seal Ring Material: NBR (Buna-N); EPDM (EPT); Viton (Viton)

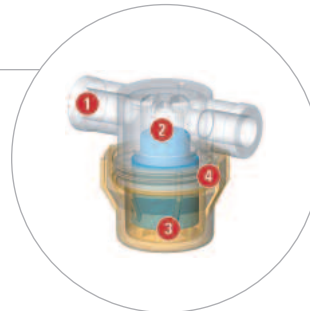
FILTER HEAD SIZE	INSTALLATION DEPTH (mm)	INSTALLATION WIDTH (mm)	OVERALL HEIGHT (mm)
3/8"	114	90	128
1/2"	114	90	128
3/4"	116	90	133



FILTER HEAD SIZE	INSTALLATION DEPTH (mm)	INSTALLATION WIDTH (mm)	OVERALL HEIGHT (mm)
1/8"	84	57.5	92
1/4"	85	74	94
3/8"	86	74	98
1/2"	87	74	101



FILTER HEAD SIZE	INSTALLATION DEPTH (mm)	INSTALLATION WIDTH (mm)	OVERALL HEIGHT (mm)
1/8"	47	57.5	57
1/4"	50	74	58.5
3/8"	52	74	63
1/2"	53	74	67



† Stainless steel filter elements available on request.

## Filter Unit Soiling

Porex offers several solutions for checking the degree of soiling on the filter unit. Use transparent filter beakers (grilamid TR55) for simple, quick inspection of the filter unit on applications requiring constant control. More economical polypropylene beakers (white) are available for applications not requiring constant control. Transparent milky polypropylene filter beakers are the solution of choice in situations where filtration of alcohol or substances containing alcohol is present.

## Changing the Filter Unit

To change the filter unit, simply unscrew the filter head from the filter beaker and remove the filter unit. Insert the new filter unit into the filter head using a press fit. Change the seal (with every filter change) to ensure that the housing remains properly sealed.

Please refer to the Instruction Manual for proper assembly of the filter housing.

## Quality and Delivery

Porex Technologies is committed to quality, innovation and customer satisfaction. Certified in compliance with ISO 9001, Porex owns and operates manufacturing facilities in Europe, Asia and North America providing both standard and custom components to our customers through a global network of sales engineers, agents and distributors.

### Porex Technologies

500 Bohannon Road  
Fairburn, GA 30213 USA  
infoPorex@porex.com  
T. 770 964 1421  
F. 770 969 0954

### Porex Technologies GmbH

Sales & Marketing Europe  
Strangenhäuschen 30  
52070 Aachen, Germany  
infoPorex@porex.de  
T. +49 241 910525-0  
F. +49 241 910525-16

### Porex Technologies Sdn Bhd

Lot P.T. 74, Jalan Hulu Tinggi 26/6  
Seksyen 26, Sektor A  
Hicom Industrial Park  
40400 Shah Alam  
Selangor, Malaysia  
infoPorex@porex.com.my  
T: +603 5191 3308  
F: +603 5192 3308



www.porex.com 800.241.0195

©2007 Porex Corporation. Porex is a registered trademark of Porex Corporation. All Rights Reserved.

PPG-315-022607-00